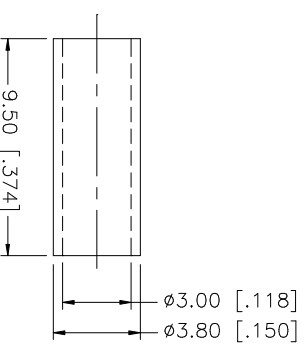
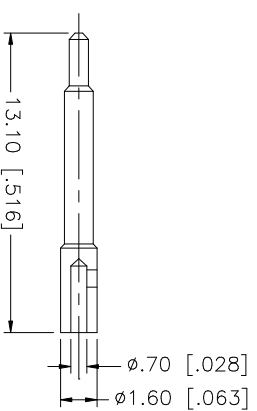
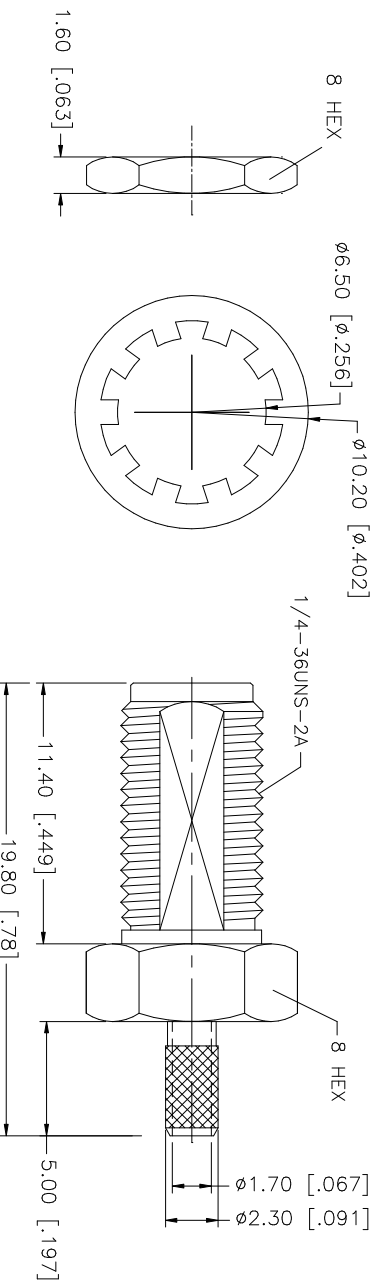
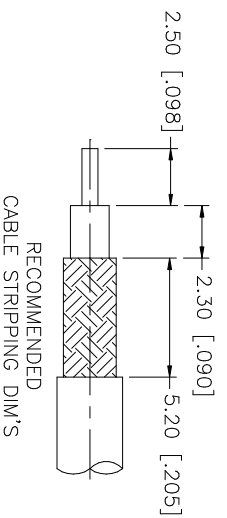
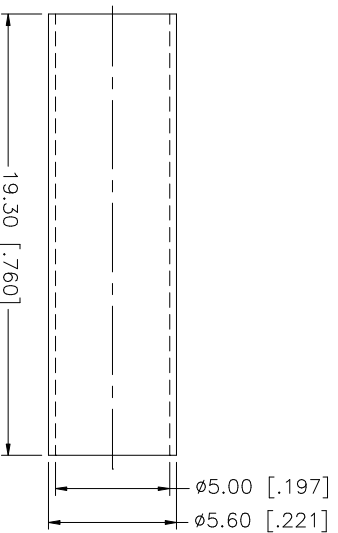


REV.	DATE
A	01/23/04

DESCRIPTION  
UPDATE DRAWING FORMAT



CRIMP NOTES:  
1. CRIMPED FERRULE  
HEX CRIMP SIZE .128"



QTY	DESCRIPTION	MATERIAL	FINISH
1	HEAT SHRINK TUBING		
1	FERRULE	COPPER	GOLD
1	LOCK WASHER	BRASS	GOLD
1	HEX NUT	BRASS	GOLD
1	CONTACT PIN	BRASS	GOLD
1	INSULATOR BODY	TEFLON BRASS	NATURAL GOLD

UNLESS OTHERWISE SPECIFIED DIMENSIONS ARE IN MILLIMETERS DIMENSIONS IN [ ] ARE IN INCHES AND FOR CUSTOMER REFERENCE ONLY.	UNLESS OTHERWISE SPECIFIED TOLERANCES FOR MILLIMETERS ARE:	UNLESS OTHERWISE SPECIFIED TOLERANCES FOR INCHES ARE:
0.5 - 8mm ± 0.20mm	8 - 30mm ± 0.40mm	30 - 120mm ± 0.50mm
UNLESS OTHERWISE SPECIFIED TOLERANCES FOR INCHES ARE:		
.020 - .315 ± 0.007"	.315 - 1.180 ± 0.015"	1.180 - 4.724 ± 0.020"

APPROVALS	DATE
DRAWN G.R.S.	01/23/04
CHECKED	
ISSUED	
SHEET 1 OF 1	

CAD FILE	DWG. NO.	REV.	SIZE	SCALE
C:/132/132119RP.DWG	132119RP.DWG	A	A	NA

**Amphenol Connex**

SMA REVERSE POLARITY BULKHEAD  
CRIMP JACK

132119RP